

Stationary Pallet Changer (SPC)

A stationary pallet changer is used for transferring goods from wooden pallets to plastic pallets or vice-versa. It is a cost-effective and efficient way to transfer goods from one load carrier to another. When used in combination with a load-push attachment on a forklift, goods that were originally stored on wooden pallets can be transported without any load carrier. By using a push-pull attachment instead of load pusher it is also possible to transport the goods on slip sheets.



The stationary pallet changer is mainly used in industries where some products, i.e. liquids, cannot be inverted as this would cause problems with validation or in industries where goods are packed in fragile packaging materials. The pallet changer is often placed within a receiving area where inbound goods can quickly be transferred to captive pallets, typically plastic or aluminum pallets, and the wooden pallets can then be isolated from the rest of the facility for sanitary reasons, (i.e. food processing, pharmaceuticals, etc...). The pallet changer allows companies currently using manual labor to drastically reduce operational costs and avoid injury risks and it provides an affordable alternative to more complex transfer systems.

Features compared to pallet inverters

- Improved handling speed.
- No clamping of goods.
- No inversion of load.
- Simple construction.
- Less maintenance because of no rotation parts.
- Faceplate speed reduction for end positions.
- Remote controlled.
- Plug & play.

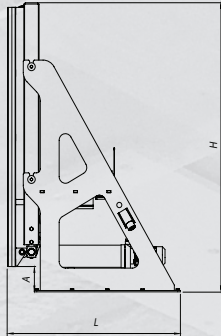
Standard safety features

- Safety circuit CAT 3/PLd.
- Safety cage.
- Adjustable limit for receiving range of remote control.

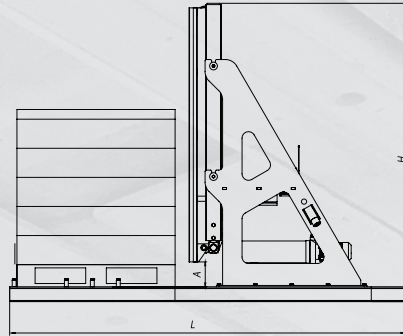


Specifications

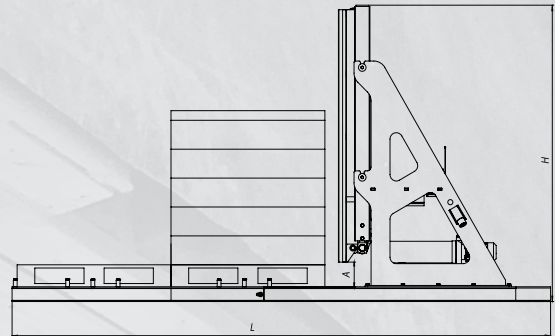
SPC20/1220/B



SPC20/1220/S
with Load Pusher or Push/Pull



SPC20/1220/D
transferring pallets



Model	Loading Capacity (kg)	Length (mm)	Height (mm)	Width (mm)	Power Supply	Total weight (kg)	Faceplate speed	Ground Clearance (A) (mm)	Safety Circuit
SPC20/1220/B	2000	1797	2260	1100	3ph/400V/16A/50Hz	930	7-16 sec	185	CAT3/PLd
SPC20/1220/S		3190	2370	1200		or			
SPC20/1220/D		4405	2370	1200	3ph/208V/16A/60Hz	1500			

General Options
all SPC-models

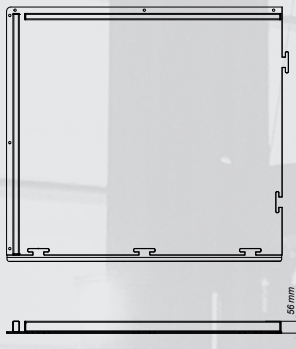
Warning buzzer
Warning beacon light (LED)
Warning oil level and temperature
Dual speed (two-step button on remote control)
Other voltages, amperes, etc. on request

Option - Thin Loading Platform (TLP)
in combination with SPC20/1220/B

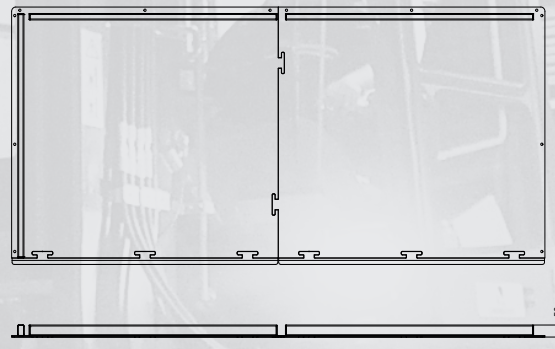
Loading platform for pallet jacks
Single version - Galvanised
Single version - Stainless Steel
Double version - Galvanised
Double version - Stainless Steel

Thin Loading Platform (TLP)

Single version



Double version



ISO 9001-2008

Quality management for development and production.

CE

European guideline for machines (2006/42/EC), forks have a safety factor of three times rated capacity.



MSE-FORKS B.V. | Oudebildtdijk 894 | 9079 NG Sint Jacobiparochie, The Netherlands
Tel: +31 (0) 518 49 29 29 | www.mse-forks.com | info@mse-forks.com